



---

**PORTABLE 3-SPEED STEREO TURNTABLE  
WITH BUILT-IN SPEAKERS**



**USER MANUAL**

**JTA-420**

**PLEASE READ THIS USER MANUAL AND  
SOFTWARE GUIDE COMPLETELY BEFORE OPERATING THIS  
UNIT AND RETAIN THIS BOOKLET FOR FUTURE REFERENCE.**

# DEAR JENSEN® CUSTOMER

Selecting fine audio equipment such as the unit you've just purchased is only the start of your musical enjoyment. Now it's time to consider how you can maximize the fun and excitement your equipment offers. This manufacturer and the Electronic Industries Association's Consumer Electronics Group want you to get the most out of your equipment by playing it at a safe level. One that lets the sound come through loud and clear without annoying blaring or distortion and, most importantly, without affecting your sensitive hearing.

Sound can be deceiving. Over time your hearing "comfort level" adapts to higher volumes of sound. So what sounds "normal" can actually be loud and harmful to your hearing. Guard against this by setting your equipment at a safe level BEFORE your hearing adapts.

## **To establish a safe level:**

- Start your volume control at a low setting.
- Slowly increase the sound until you can hear it comfortably and clearly, and without distortion.

## **Once you have established a comfortable sound level:**

- Set the dial and leave it there.

Taking a minute to do this now will help to prevent hearing damage or loss in the future. After all, we want you listening for a lifetime.

## **We Want You Listening For a Lifetime**

Used wisely, your new sound equipment will provide a lifetime of fun and enjoyment. Since hearing damage from loud noise is often undetectable until it is too late, this manufacturer and the Electronic Industries Association's Consumer Electronics Group recommend you avoid prolonged exposure to excessive noise.

## **Customer's Record:**



The serial number of this product is found on its back cover. You should note the serial number of this unit in the space provided as a permanent record of your purchase to aid in identification in the event of theft or loss.

**Model Number: JTA-420**

**Serial Number: \_\_\_\_\_**

## WARNING

TO PREVENT FIRE OR SHOCK HAZARD, DO NOT USE THIS PLUG WITH AN EXTENSION CORD, RECEPTACLE OR OTHER OUTLET UNLESS THE BLADES CAN BE FULLY INSERTED TO PREVENT BLADE EXPOSURE. TO PREVENT FIRE OR SHOCK HAZARD, DO NOT EXPOSE THIS APPLIANCE TO RAIN OR MOISTURE.

 <p>The lightning flash with arrowhead symbol, within an equilateral triangle is intended to alert the user to the presence of uninsulated dangerous voltage within the product is enclosure that may be of sufficient magnitude to constitute risk of electric shock to persons</p>	<p><b>CAUTION</b></p> <p>RISK OF ELECTRIC SHOCK DO NOT OPEN</p> <p>CAUTION: TO REDUCE THE RISK OF ELECTRICSHOCK, DO NOT REMOVE COVER (OR BACK). NO USER-SERVICEABLE PARTS INSIDE. REFER SERVICING TO QUALIFIED SERVICE PERSONEL.</p>	 <p>The exclamation point within an equilateral triangle is intended to alert the user to the presence of important operating and maintenance (servicing) instructions in the literature accomoanyng the appliance</p>
---	--	---

## IMPORTANT SAFETY INSTRUCTIONS

1. Read these instructions.
2. Keep these instructions.
3. Heed all warnings.
4. Follow all instructions.
5. Do not use this apparatus near water.
6. Clean only with dry cloth.
7. Do not block any ventilation openings. Install in accordance with these instructions.
8. Do not install near any heat sources such as radiators, heat registers, stoves, or other apparatus (including amplifiers) that produce heat.
9. Protect the power cord from being walked on or pinched particularly at plugs, convenience receptacles, and the point where they exit from the apparatus.
10. Only use attachments / accessories specified by the manufacturer.

11. Unplug this apparatus during lightning storms or when unused for long periods of time.
12. Refer all servicing to qualified service personnel. Servicing is required when the apparatus has been damaged in any way, such as power-supply cord or plug is damaged, liquid has been spilled or objects have fallen into the apparatus, the apparatus has been exposed to rain or moisture, does not operate normally, or has been dropped.
13. This appliance shall not be exposed to dripping or splashing water and that no object filled with liquids such as vases shall be placed on the apparatus.
14. Do not overload wall outlet. Use only power source as indicated.
15. Do not attempt to dismantle, open or repair this product yourself. If a fault occurs, seek advice from your local qualified service technician or contact the distributor via the telephone number at the back of this instruction manual.
16. Caution marking and nameplate are located on back of product.

### **PRECAUTION FORE USE**

- **UNPACK ALL PARTS AND REMOVE PROTECTIVE MATERIAL.**
- **DO NOT CONNECT THE UNIT TO THE MAINS BEFORE CHECKING THE MAINS VOLTAGE AND ALL OTHER CONNECTIONS HAVE BEEN MADE.**
- **DO NOT COVER ANY VENTS AND MAKE SURE THAT THERE IS A SPACE OF SEVERAL CENTIMETERS AROUND THE UNIT FOR VENTILATION.**

### **IMPORTANT NOTES**

Avoid installing the unit in locations described below:

- Places exposed to direct sunlight or close to heat radiating appliances such as electric heaters.
- Places subject to constant vibration.
- Dusty, humid or moist places.

## COMPLIANCE WITH FCC REGULATIONS

This device complies with Part 15 of the FCC Rules. Operation is subject to the following two conditions:

- (1) this device may not cause harmful interference, and
- (2) this device must accept any interference received, including interference that may cause undesired operation.

NOTE : This equipment has been tested and found to comply with the limits for a Class B digital device, pursuant to Part 15 of the FCC Rules. These limits are designed to provide reasonable protection against harmful interference in a residential installation. This equipment generates, uses and can radiate radio frequency energy and, if not installed and used in accordance with the instructions, may cause harmful interference to radio communications. However, there is no guarantee that interference will not occur in a particular installation. If this equipment does cause harmful interference to radio or television reception, which can be determined by turning the equipment off and on, the user is encouraged to try to correct the interference by one or more of the following measures:

- Reorient or relocate the receiving antenna.
- Increase the separation between the equipment and receiver.
- Connect the equipment into an outlet on a circuit different from that to which the receiver is connected.
- Consult the dealer or an experienced radio/TV technician for help.

**CAUTION: Changes or modifications not expressly approved by the party responsible for compliance could void the user operate the equipment.**

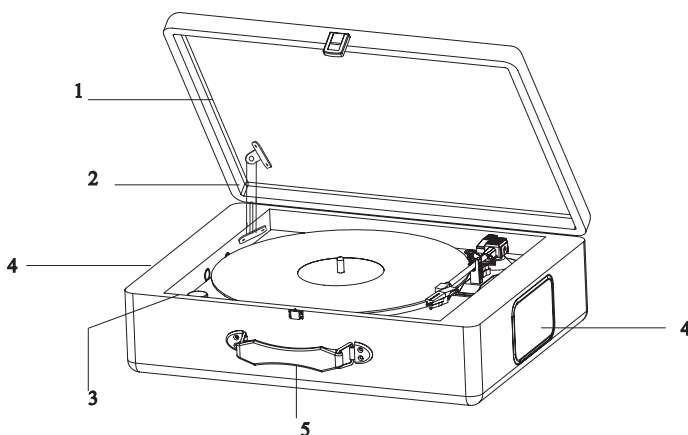
## PROTECT YOUR FURNITURE

This model is equipped with non-skid rubber 'feet' to prevent the product from moving when you operate the controls. These 'feet' are made from non-migrating rubber material specially formulated to avoid leaving any marks or stains on your furniture. However certain types of oil based furniture polishes, wood preservatives, or cleaning sprays may cause the rubber 'feet' to soften, and leave marks or a rubber residue on the furniture. To prevent any damage to your furniture we strongly recommend that you purchase small self-adhesive felt pads, available at hardware stores and home improvement centers everywhere, and apply these pads to the bottom of the rubber 'feet' before you place the product on fine wooden furniture.

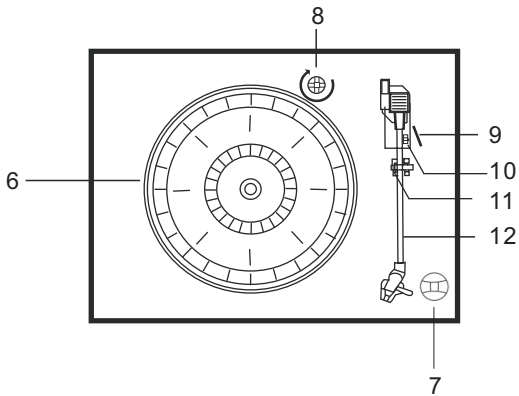
## ACCESSORIES INCLUDED

- Application CD
- USB cable
- AUX IN Cable
- User Manual

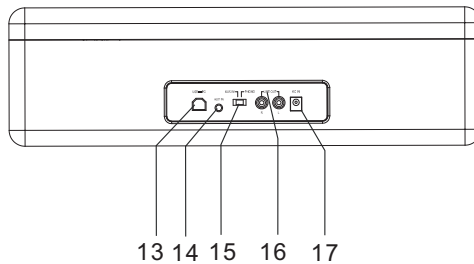
## LOCATION OF CONTROLS



1. Phonograph Lid
2. Phonograph Lid Support Hinge
3. Power On/OFF and Volume Control Rotary Switch
4. Speakers
5. Handle



- 6. Turntable
- 7. 45 RPM Record Adaptor
- 8. Transit Screw
- 9. Cue Lever
- 10. 33/45/78RPM Speed Selector
- 11. Tone Arm Rest/Holder
- 12. Tone Arm with Stylus

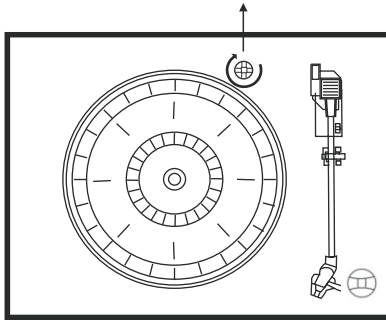


- 13. USB Port For Computer Connection
- 14. AUX IN Jack
- 15. Phonograph/AUX mode selector
- 16. Line Out Socket (L/R)
- 17. AC IN jack

## GETTING STARTED

1. Raise the lid to expose the phonograph. The phonograph has been secured for shipment with a transit screw.
2. Use a coin or screwdriver to turn the transit screw clockwise. This will allow the turntable to "float" and move freely.

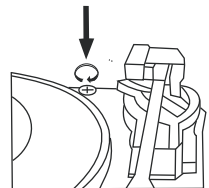
### TRANSIT SCREW



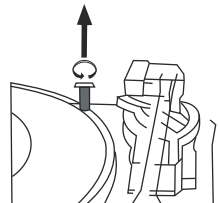
### IMPORTANT!!

TO PROTECT THE TURNTABLE FROM DAMAGE DURING TRANSPORTATION, A SILVER TRANSIT SCREW IS LOCATED AT THE UPPER RIGHT OF THE TURNTABLE PLATFORM.

BEFORE PLAYING, PLEASE USE A SCREW DRIVER TO TURN THE TRANSIT SCREW IN CLOCKWISE DIRECTION (SCREW GOING DOWN) COMPLETELY TO UNLOCK THE TURNTABLE

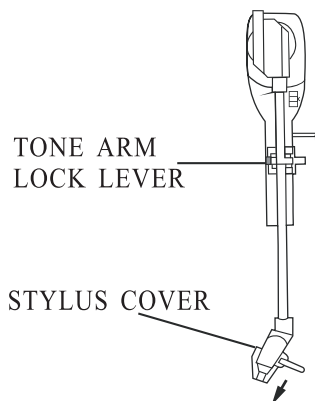


TO LOCK THE TURNTABLE AGAIN FOR TRANSPORTATION, PLEASE TURN THE SCREW IN COUNTER-CLOCKWISE DIRECTION.





3. Remove the opaque white plastic stylus cover from the phonograph stylus by sliding it in the direction of the arrow. Discard the stylus cover.
4. Remove the twist-tie that was used to secure the tone arm during shipment.
5. Release the tone arm lock lever.



## RAISING AND LOWERING THE LID

- To open the lid, raise it as far as it will go until the lid support hinge “Locks” in the OPEN position.
- To close the lid, lift it upward slightly until the lid support hinge ‘Unlocks’, and then gently lower the lid.

## IMPORTANT:

TO AVOID DAMAGING THE CABINET OR THE LID, NEVER FORCE THE LID CLOSED ALWAYS RAISE THE LID TO RELEASE THE LID SUPPORT HINGE.

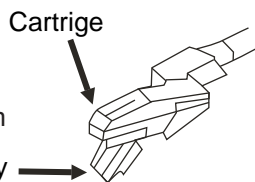
## CONNECTIONS

1. Connect the AC adaptor to an AC outlet 120V~ 60Hz.
2. To encode or record a vinyl record on your computer, connect the USB port of the Turntable to an available USB port on your computer using the USB cable provided.
3. Rotate the POWER/VOLUME switch to turn on the unit, your system is now ready to play your music. Please refer to the Operations section of this Manual for details.

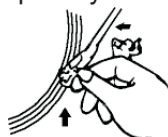
# STEREO PHONOGRAPH OPERATION

## Please Note - Before Use

- Remove the stylus protector.
- Make sure that the tone arm is unlocked and free to move from the tone arm rest prior to operating. Lock the tone arm again when not in use.



1. Set the PHONO/AUX mode selector located on the back of the unit to PHONO position.
2. Raise the phonograph lid and securely lock the hinge.
3. Place the record on the platter (use the 45 RPM record adaptor if you are playing 45 RPM records).
4. Set the speed selector to the proper position for the record you are playing.
5. Rotate the Power ON/OFF knob to turn on the system.
6. Raise the CUE lever to lift the tone arm off its rest.



Slowly move it over the record, the platter will begin spinning.

7. Use the CUE lever to gently lower the tone arm onto the record in the location that you want to play.
8. Adjust the volume to a desired level.
9. At the end of record, the tone arm will automatically return to the tone arm rest, the platter will automatically stop spinning.
10. To stop playing manually, lift the CUE level to lift the tone arm from the record, manually return the tone arm to its rest and lower the CUE lever.

## NOTE:

- 1). Do not turn or stop the turntable manually. Moving or jarring the Turntable without securing the Tone Arm clamp could result in damage to the Tone Arm.
- 2). Some types of 45 & 78 RPM records may have an auto-stop area outside the preset limit, so the tone arm may automatically return before the last track finishes.

## AUXILIARY INPUT

This unit provides an auxiliary audio signal input jack for connecting external audio devices like MP3 players, CD players and older, non-dockable iPods (except iPod shuffle 3<sup>rd</sup> gen) so you can listen to your external source through the speakers of this system.

1. Set the PHONO/AUX mode selector located on the back of the unit to AUX position.
2. Use an audio cable (included) with one 3.5 mm stereo plug on each end of the cable.
3. Plug one end into the AUX-IN jack on the main unit and the other end of the cable into the Line-out Jack or Headphone Jack of your external audio device.
4. Turn on unit power and your external audio device.
5. The volume level can now be controlled through the main unit. Operate all other functions on the auxiliary device as usual.

**Note:**

- (1). If the Line Out Jack of your external device is connected, then you only need to adjust the volume control of this system. If the Headphone Jack of your external device is connected, then you may need to adjust both the volume control of your external device and the volume control of this system to find the most desirable volume setting.
- (2). Turntable still can work in AUX mode but no sound comes from speakers. Make sure tone arm is in its rest and being securely locked to avoid damage.
- (3). Rotate the POWER ON/OFF knob to turn off the system when you finish listening. Don't forget to switch off the power on your external device as well.

## LINE OUT CONNECTION

You can connect this unit to an external Hi-Fi / AMPLIFIER system by connecting the LINE OUT socket to the auxiliary input socket of your Hi-Fi / AMPLIFIER system with RCA cables (not included).

**Note:** The Volume control on the main unit will not adjust the volume when using the LINE OUT.

## CONNECTING TO A COMPUTER FOR RECORDING

### Installing the Audacity Software

1. Insert the Audacity disc (included) into the CD drive of your computer.
2. Click on My computer on the desktop.
3. Double click CD drive to view the contents of the CD and read license agreements of Audacity.
4. Double click Audacity set up to install the Audacity software according to the instruction.

**NOTE:**

Free software (AUDACITY) licensed under the GNU general public license (GPL). More information as well as open source code can be found on the provided CD or on the website at: <http://audacity.sourceforge.net/>

## Install the USB Drive

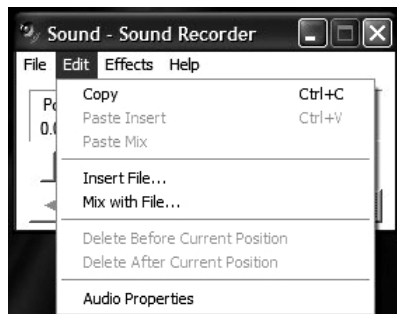
1. Use the included USB cable to connect the turntable to your computer.
2. Your computer will detect the JTA-420 as a “USB PnP Audio Device” & start to install USB drivers for it automatically.
3. Waiting for the installation complete until your computer shows a pop up a message that it is installed properly and ready to use.

## Set Recording Input Level (Use Windows XP Computer)

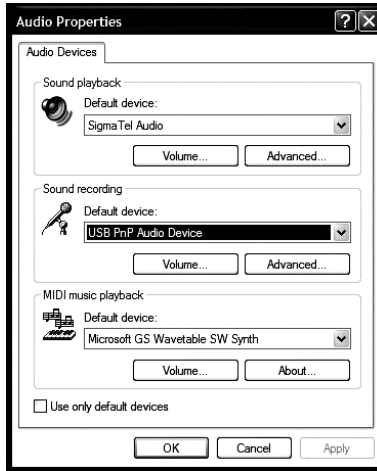
1. Click the “start” in the left corner of your computer
2. Select “Programs” → “Accessories” → “Entertainment” → “Sound Recorder” to open the sound record interface.



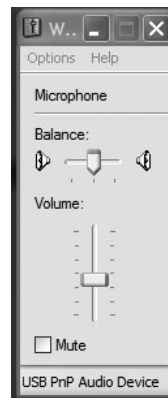
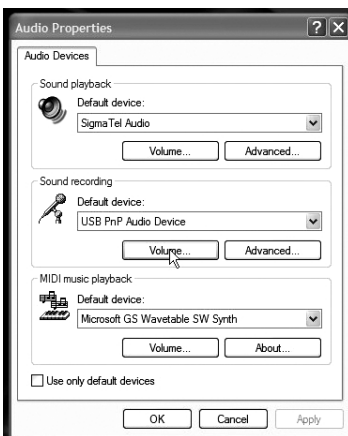
3. Select “Edit” and then click “Audio Properties” towards the bottom of the menu to select “Audio properties” interface.



- In the Sound Recording field, click the pull down menu to select “USB PnP Audio Device” as Default device of sound recording.



- Click the Volume button under the Sound recording tab to open “Recording Control” interface;
- Adjust the line in volume to a level without distortion. You can play a record on the turntable and use the Sound Recorder to record a short clip of music for testing. The sound wave will show on the interface screen when recording.

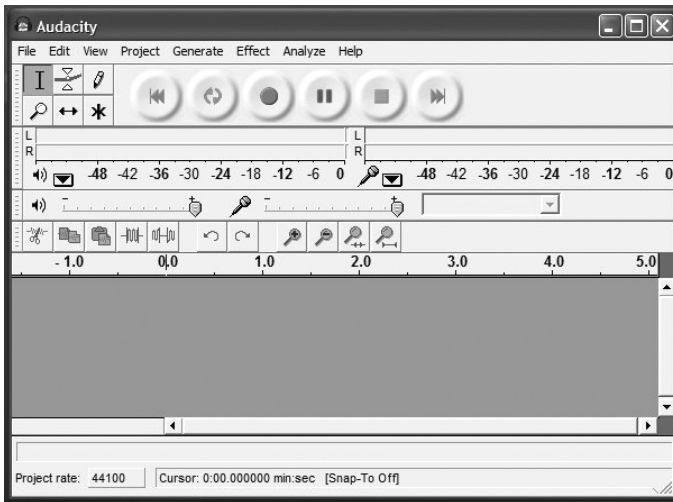


## Running Audacity software

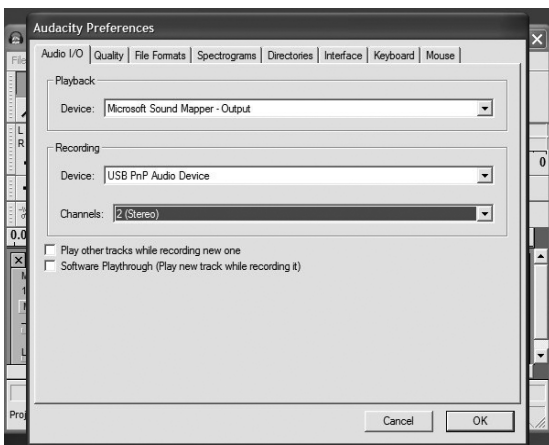
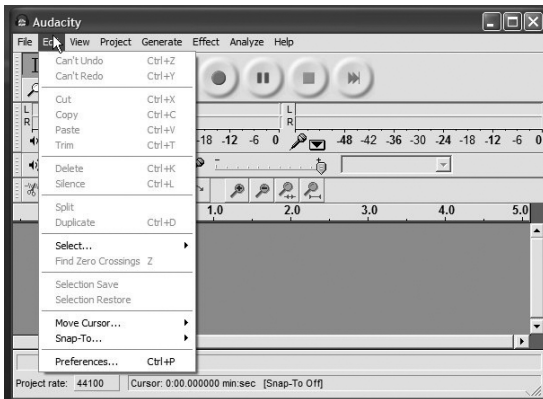
**Note:** Please review the software license and distribution restrictions found on the software disc. Use of the Audacity software is subject to those conditions and restriction.

For additional help with recording and editing music by using the Audacity software, please visit <http://audacity.sourceforge.net/>

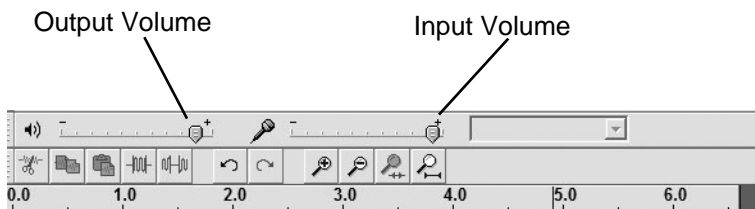
1. Run the Audacity from the Windows start menu or double click the Audacity icon on your computer desktop.
2. The Audacity main screen appears. You will find the Record, Play, Pause, Stop, Skip forward and backward control buttons here. Use the File, Edit, View, Project, Generate, Effect and Analyze menus from your computer screen to Save, Export or Edit the music.



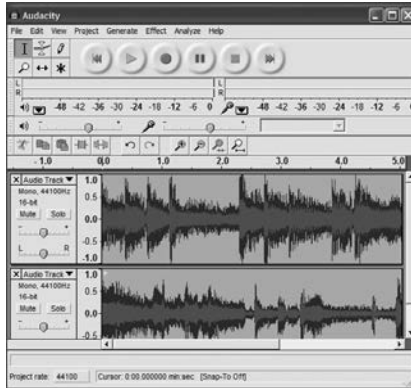
3. Click "Preferences" at the bottom of the Edit menu, you can set the Audio I/O, Quality, File Formats, Spectrograms, Directories, Interface, Keyboard and Mouse settings here.



- Adjust the input and output volume by sliding the Input and Output Volume bars.



- Click the record button to start recording, left and right tracks will show on your computer screen. If you cannot see the sound waves appear on the Interface when recording, adjust the Input volume.



6. Use the Audacity control panel to record or listen the music you have recorded

- Click ● button to start recording.
- Click the ⏮ button to skip to start;
- Click the ⏭ button to skip to end;
- Click the ▶ button to play;
- Click the ⏸ button to pause;
- Click the ■ button to stop.



### Export the Music Files to WAV or MP3 Format

Once you have finished recording, make sure you save your recorded music to the computer.

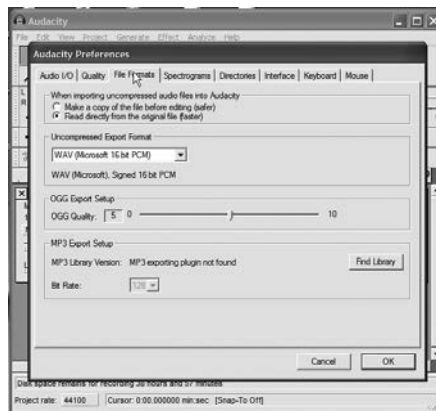
1. Click File menu and move down to "Export" to convert the file to WAV format or MP3 format.
2. Click on the format you want to save the music as, and you will be asked for the file name of your recorded music

**NOTE:** Audacity does not export MP3 files directly. If you want to encode your recorded music to MP3 format, you need to download the LAME MP3 encoder under the page "Other Audacity Downloads for Windows" of the website <http://audacity.sourceforge.net/>

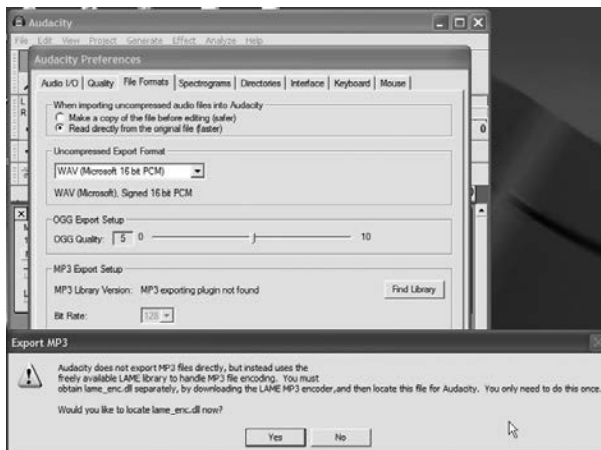


## Install the MP3 encoder

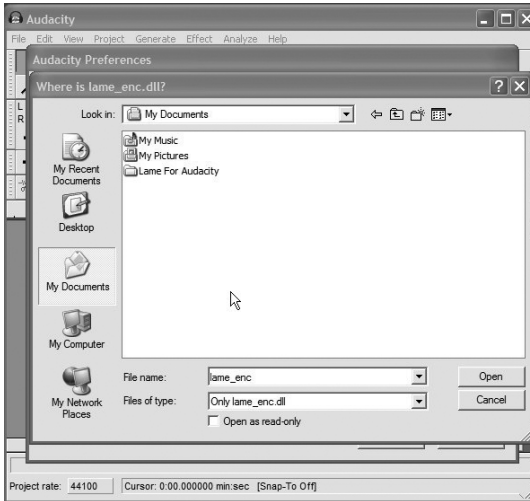
- 1.) Download “lame\_enc.dll” file and save it to your computer.
- 2.) Open the “AUDACITY” program. Under the “EDIT” tab, select “PREFERENCES”.
- 3.) In “PREFERENCES” screen, under “File Formats” tab, click “Find Library”. A dialogue box will pop up.



- 4.) Read the instruction on your computer screen then click “Yes” to confirm to locate the “Lame \_ enc.dll” file.



5.) After you find the “Lame\_enc.dll” file, open it and then click ”OK” to finish the installation



## CARE AND MAINTENANCE

1. Avoid operating your unit under direct sunlight or in hot, humid or dusty places.
2. Keep your unit away from heating appliances and sources of electrical noise such as fluorescent lamps or motors.
3. Unplug the unit from the electrical power outlet immediately in case of malfunction.

### CLEANING THE UNIT

- To prevent fire or shock hazard, disconnect your unit from the AC power source when cleaning.
- The finish on the unit may be cleaned with a dust cloth and cared for as other furniture, Use caution when cleaning and wiping the plastic parts.
- If the cabinet becomes dusty wipe it with a soft dry dust cloth. Do not use any wax or polish sprays on the cabinet.
- If the front panel becomes dirty or smudged with fingerprints it may be cleaned with a soft cloth slightly dampened with a mild soap and water solution. Never use abrasive cloths or polishes as these will damage the finish of your unit.

**CAUTION:** Never allow any water or other liquids to get inside the unit while cleaning.

## TROUBLE SHOOTING GUIDE

SHOULD YOU EXPERIENCE DIFFICULTIES IN THE USE OF THIS PLAYER PLEASE REFER TO THE FOLLOWING CHART OR CALL 1-800-777-5331 FOR CUSTOMER SERVICE.

PROBLEM	POSSIBLE CAUSE	SOLUTION
The unit does not respond (no power).	AC Adaptor is not plugged into a wall outlet or the connector is not plugged into the power supply jack on the back of the unit.	Plug the AC adaptor into a wall outlet and plug the connector into the supply jack on the unit.
	Wall outlet is not functioning.	Plug another device into the same outlet to confirm the outlet is working.
	POWER Switch in the OFF position	Rotate the POWER/Volume knob on the turntable side to ON position
Unit is ON but there is low or no volume	The volume Control has been turned all the way down	Turn the Volume control to a higher output
Sound is distorted.	Volume level is set too high	Decrease the volume

## SPECIFICATION

**Power requirement:**

Main Unit

AC-AC Adaptor Input: AC 120V ~ 60Hz  
Output: AC 11V~ 1100mA

**System Requirement:**

Windows / 2000 / XP/ Vista/7



At Spectra, environmental and social responsibility is a core value of our business. We are dedicated to continuous implementation of responsible initiatives with an aim to conserve and maintain the environment through responsible recycling.

Please visit us at <http://www.spectraintl.com/green.htm> for more information on Spectras green initiatives or to find a recycler in your area.

## 90 DAY LIMITED WARRANTY AND SERVICE VALID IN THE U.S.A ONLY

SPECTRA MERCHANDISING INTERNATIONAL, INC. warrants this unit to be free from defective materials or factory workmanship for a period of 90 days from the date of original customer purchase and provided the product is utilized within the U.S.A. This warranty is not assignable or transferable. Our obligation under this warranty is the repair or replacement of the defective unit or any part thereof, except batteries, when it is returned to the SPECTRA Service Department, accompanied by proof of the date of original consumer purchase, such as a duplicate copy of a sales receipt.

You must pay all shipping charges required to ship the product to SPECTRA for warranty service. If the product is repaired or replaced under warranty, the return charges will be at SPECTRA's expense. There are no other express warranties other than those stated herein.

This warranty is valid only in accordance with the conditions set forth below:

1. The warranty applies to the SPECTRA product only while:
  - a. It remains in the possession of the original purchaser and proof of purchase is demonstrated.
  - b. It has not been subjected to accident, misuse, abuse, improper service, usage outside the descriptions and warnings covered within the user manual or non-SPECTRA approved modifications.
  - c. Claims are made within the warranty period.
2. This warranty does not cover damage or equipment failure caused by electrical wiring not in compliance with electrical codes or SPECTRA user manual specifications, or failure to provide reasonable care and necessary maintenance as outlined in the user manual.
3. Warranty of all SPECTRA products applies to residential use only and is void when products are used in a nonresidential environment or installed outside the United States.

This warranty gives you specific legal rights, and you may also have other rights which vary from state to state. TO OBTAIN SERVICE please remove all batteries (if any) and pack the unit carefully and send it freight prepaid to SPECTRA at the address shown below. IF THE UNIT IS RETURNED WITHIN THE WARRANTY PERIOD shown above, please include a proof of purchase (dated cash register receipt) so that we may establish your eligibility for warranty service and repair of the unit without cost. Also include a note with a description explaining how the unit is defective. A customer service representative may need to contact you regarding the status of your repair, so please include your name, address, phone number and email address to expedite the process.

IF THE UNIT IS OUTSIDE THE WARRANTY PERIOD, please include a check for \$50.00 to cover the cost of repair, handling and return postage. All out of warranty returns must be sent prepaid.

It is recommended that you contact SPECTRA first at 1-800-777-5331 or by email at [Custer@spectraintl.com](mailto:Custer@spectraintl.com) for updated information on the unit requiring service. In some cases the model you have may be discontinued, and SPECTRA reserves the right to offer alternative options for repair or replacement.

SPECTRA MERCHANDISING INTERNATIONAL, INC.

4230 North Normandy Avenue,

Chicago, IL60634, USA.

1-800-777-5331

To register your product, visit the link on the website below to enter your information.

<http://www.spectraintl.com/wform.htm>

0712

Printed in China